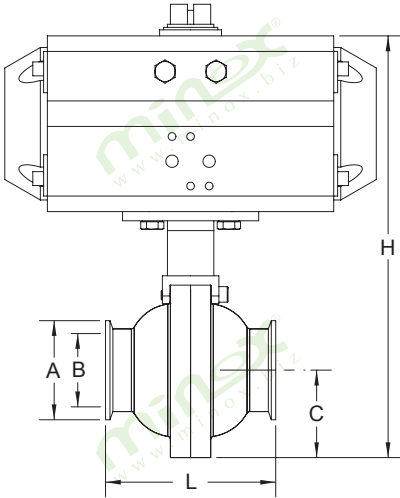


## 2-Piece Sanitary Ball Valve



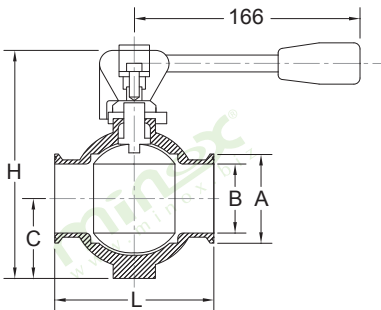
Product	: 2-Piece Sanitary Ball Valve
Application	: On-off valve, by turning the valve ball, special design for product line with high viscosity, high pressure & high temperature product
Type	: Manual by turning handle, Pneumatic with air actuator
Optional	: Control & Indication Unit to be mounted on actuator
Body Configuration	: 2 way
Body Material	: Stainless Steel 316
Valve Seat Material	: PTFE
Working Pressure	: Up to 140psi at 95°C
Air Pressure for	
Air Actuator	: 5 ~ 7 bar
Size	: 1" ~ 4" (Standard design with TC ferrule end)

# 2-Piece Sanitary Ball Valve



**Ball Valve C/W Actuator  
Dimension (mm)**

Size (Inch)	A	B	C	H	L
1.0"	50.5	22.2	38.0	206.5	95.0
1.5"	50.5	34.9	47.0	256.0	101.0
2.0"	64.0	47.6	56.0	274.0	110.0
2.5"	77.5	60.3	65.5	305.0	124.0
3.0"	91.0	73.0	75.5	325.0	143.0
4.0"	119.0	97.6	91.5	378.5	183.6



**Ball Valve-Clamp End  
Dimension (mm)**

Size (Inch)	A	B	C	H	L
1.0"	50.5	22.2	38.0	124.0	95.0
1.5"	50.5	34.9	47.0	142.0	101.0
2.0"	64.0	47.6	56.0	160.0	110.0
2.5"	77.5	60.3	65.5	179.0	124.0
3.0"	91.0	73.0	75.5	199.0	143.0
4.0"	119.0	97.6	91.5	231.0	183.6

